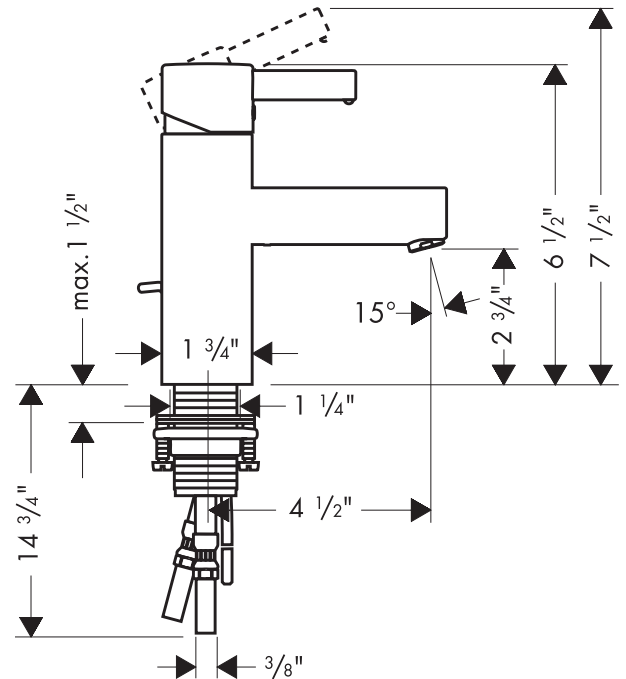
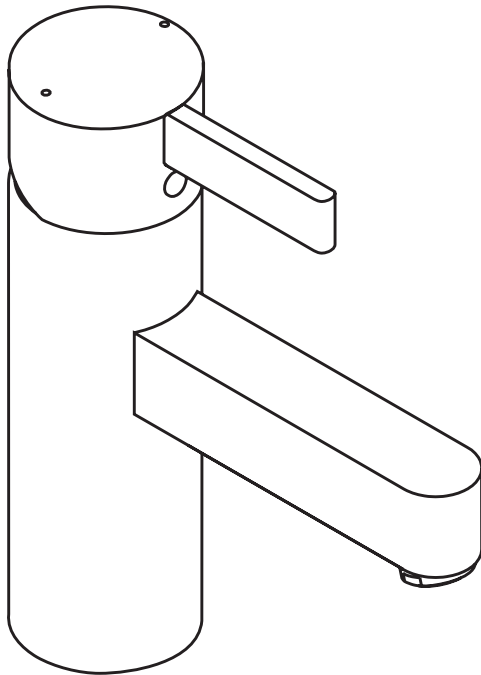


Axor Steel Single-Control Lavatory Faucet

35002801

Available in Steel



Product Specification

Stainless steel
Single hole mounting
M3 ceramic cartridge
Includes pop-up assembly
ADA compliant
3/8" supply hoses – requires 3/8" compression fittings (not included)

Recommended incoming water pressure	22 - 72 PSI
Recommended incoming hot water temperature	120° - 140°F*
Maximum mounting surface thickness	1 1/2"
Flow rate	2.2 gpm max.

*Please know and follow all applicable local codes when setting the temperature on the water heater.

hansgrohe